

# Installation Instructions

## 安裝說明書

REAR CAMBER SHIM

後軸角度補正墊片

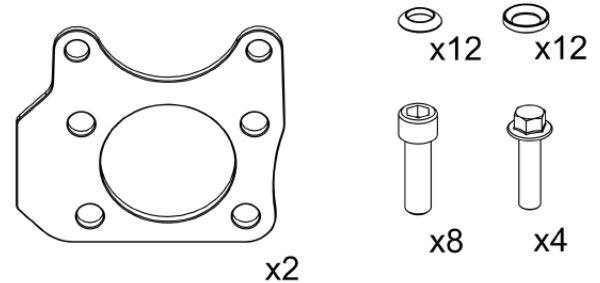
#Q0564

### Application 適用車型

SUZUKI SWIFT ZC13S/ZC43S/ZC53S/ZC83S

### Components 內含配件

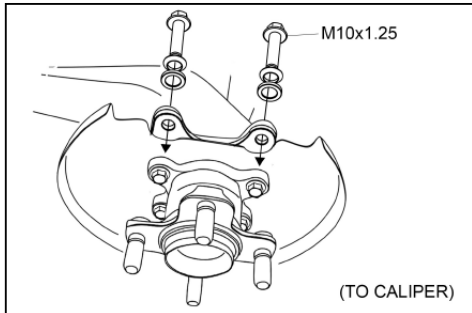
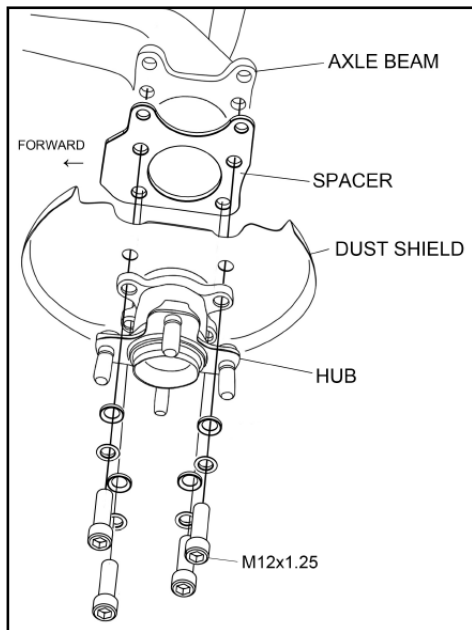
- ① Spacer 墊片.....2pcs
- ② Bolt 螺絲 (M12x1.25x40).....8pcs
- ③ Bolt 螺絲 (M10x1.25x40).....4pcs
- ④ Spherical washer-Convex 球形華司-凸.....12pcs
- ⑤ Spherical washer-Concave 球形華司-凹.....12pcs



### Caution 注意事項

- Installation is recommended to be performed by licensed mechanics with necessary tools to ensure safety. Incorrect installation may cause injury, damage to the product or vehicle.  
安裝建議由合格的技師及工具執行以確保安全。安裝錯誤可能對人員、產品及車輛造成傷害。
- Note the routing of wires and cables before installation, or please refer to factory manual.  
安裝前請事先記下線路的安裝路徑及位置以維持原廠配置。有疑問時請參考原廠手冊。
- Tighten bolts and nuts firmly by using handtools, and with specified torque if mentioned.  
安裝過程請使用手動工具確實鎖緊螺帽及螺絲。如有特別註明請依照說明指示的扭力上鎖。

### Instructions 安裝說明



2. Disconnect ABS wires.  
將ABS感應線斷開以避免施工時扯斷。
3. Remove brake calipers, disks, hubs and dust shields.  
將煞車卡鉗、碟盤、哈姆及碟盤防塵蓋拆下。
4. Install the spacers to axle beam.  
安裝墊片至後輪軸。
5. Reinstall dust shields and wheel hubs using supplied M12x1.25 bolts and spherical washers. (See figure 1)  
使用附件M12x1.25螺絲及球型華司。將防塵蓋及哈姆裝回後樑。(參考圖一)
6. Reinstall brake disks.  
將煞車碟盤裝回哈姆。
7. Reinstall brake calipers using supplied M10x1.25 bolts and spherical washers. (See figure 2)  
使用附件M10x1.25螺絲及球型華司。將卡鉗裝回後樑。(參考圖二)



1. Raise and safely support the vehicle to remove rear wheels.  
將車向升起後卸下後輪。